



# TECAPRES®

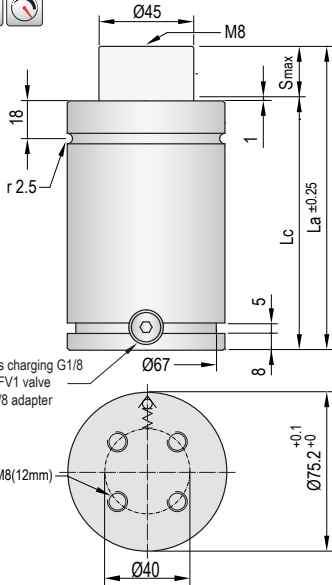
Ø75mm  
2500daN

## TPC 2500

VDI SAFETY



PED  
2014/68/EU

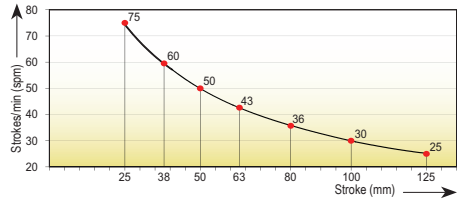


Gas charging G1/8  
TPFV1 valve  
G1/8 adapter

- Pressure medium **Nitrogen (N<sub>2</sub>)**
- Max. charging pressure **155 Bar**
- Min. charging pressure **35 Bar**
- Rod seal area **15,90 cm<sup>2</sup>**
- Operating temperature **0°C - 80°C**
- Force increase by temperature **0,33 %/°C**
- Max. stem speed **1,6 m/s**
- Maintenance kit **Kit C2500**

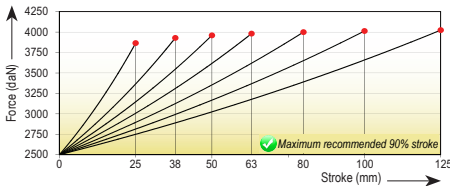


Maximum strokes / minute (at 20°C)

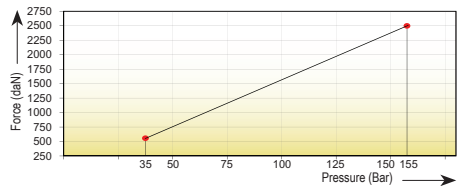


Code	Smax mm	La mm	Lc mm	Fa daN	90% F daN	100% Fc daN	P Bar	V l	Kg		
TPC 2500x25	25	145	120	2500 ±5% (20°C)	3655	3855	155 (20°C)	0,113	2,50		
TPC 2500x38	38	171	133		3710	3920				0,167	3,25
TPC 2500x50	50	195	145		3735	3950				0,216	4,00
TPC 2500x63	63	221	158		3750	3975				0,270	4,40
TPC 2500x80	80	255	175		3765	3990				0,340	5,05
TPC 2500x100	100	300	200		3780	4005				0,422	5,55
TPC 2500x125	125	350	225		3785	4020				0,525	5,98

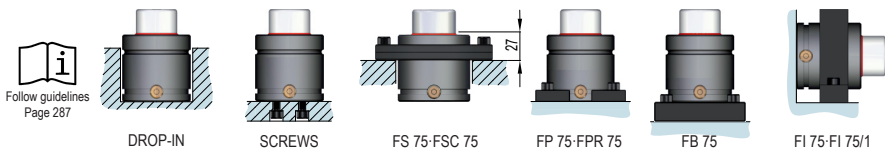
Force/stroke ratio



Initial force/charging pressure ratio



Assembly possibilities



Follow guidelines  
Page 287